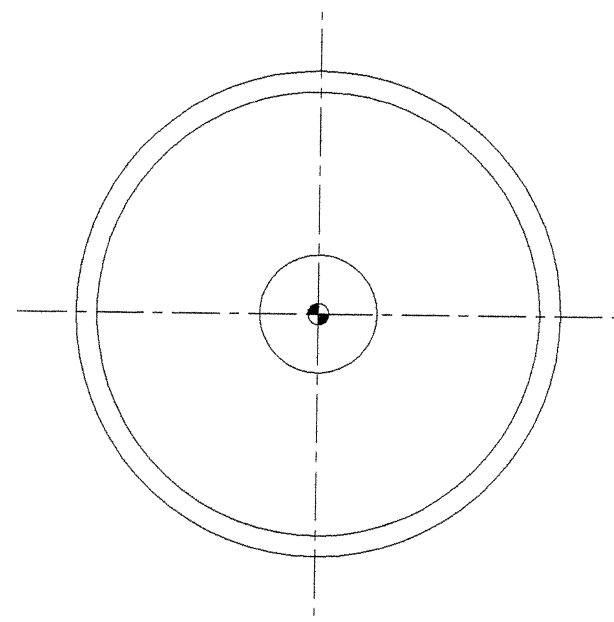
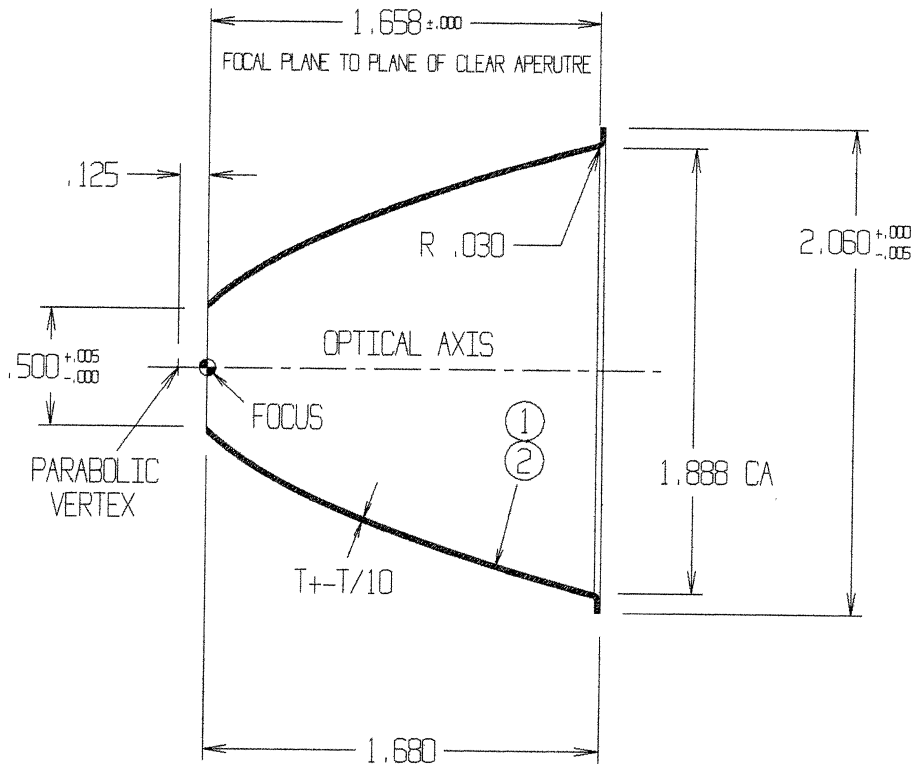


ALL CONCEPTS CONTAINED WITHIN THIS DRAWING ARE PROPRIETARY TO PHOENIX ELECTROFORMED PRODUCTS, INC.
AND MAY NOT BE CONVEYED TO THIRD PARTIES WITHOUT WRITTEN CONSENT

REVISIONS			
ZONE	REV	DESCRIPTION	DATE



- ① SURFACE FINISH 80-50 SCRATCH-DIG PER MIL-D-13880A
- ② AVAILABLE REFLECTIVE ENHANCEMENT COATINGS:
- AU ELECTRO-DEPOSITED GOLD
- AF VACUUM DEPOSITED ALUMINUM / MAGNESIUM FLUORIDE (MgF₂) OVERCOAT
- AQ VACUUM DEPOSITED ALUMINUM / QUARTZ (SiO₂) OVERCOAT
- RH ELECTRO-DEPOSITED BRIGHT RHODIUM

PARABOLIC EQUATION
 $Y^2 = 4FX$ $F = .125$

.01	.500	1.888	2.060	1.680	N/A	.020	1.658
#	V	CA	OD	H	h	T	F-CA

<small>UNLESS OTHERWISE SPECIFIED DIMENSIONS ARE IN INCHES TOLERANCES ARE: DECIMALS .010 FRACTIONS 1/16 .005 ANGLES .005 PER .125 DEG</small> FINISH 63 ✓ <small>UNLESS OTHERWISE SPECIFIED</small>	MATERIAL ELECTROFORMED NICKEL	PHOENIX ELECTROFORMED PRODUCTS, INC. TITLE PARABOLIC REFLECTOR PA11
	CONTRACT NO. APPROVALS DATE DRAWN LB 1-3-11	
<small>DO NOT SCALE DRAWING</small>	CHECKED ENGR DESIGN ACTIVITY	SHEET